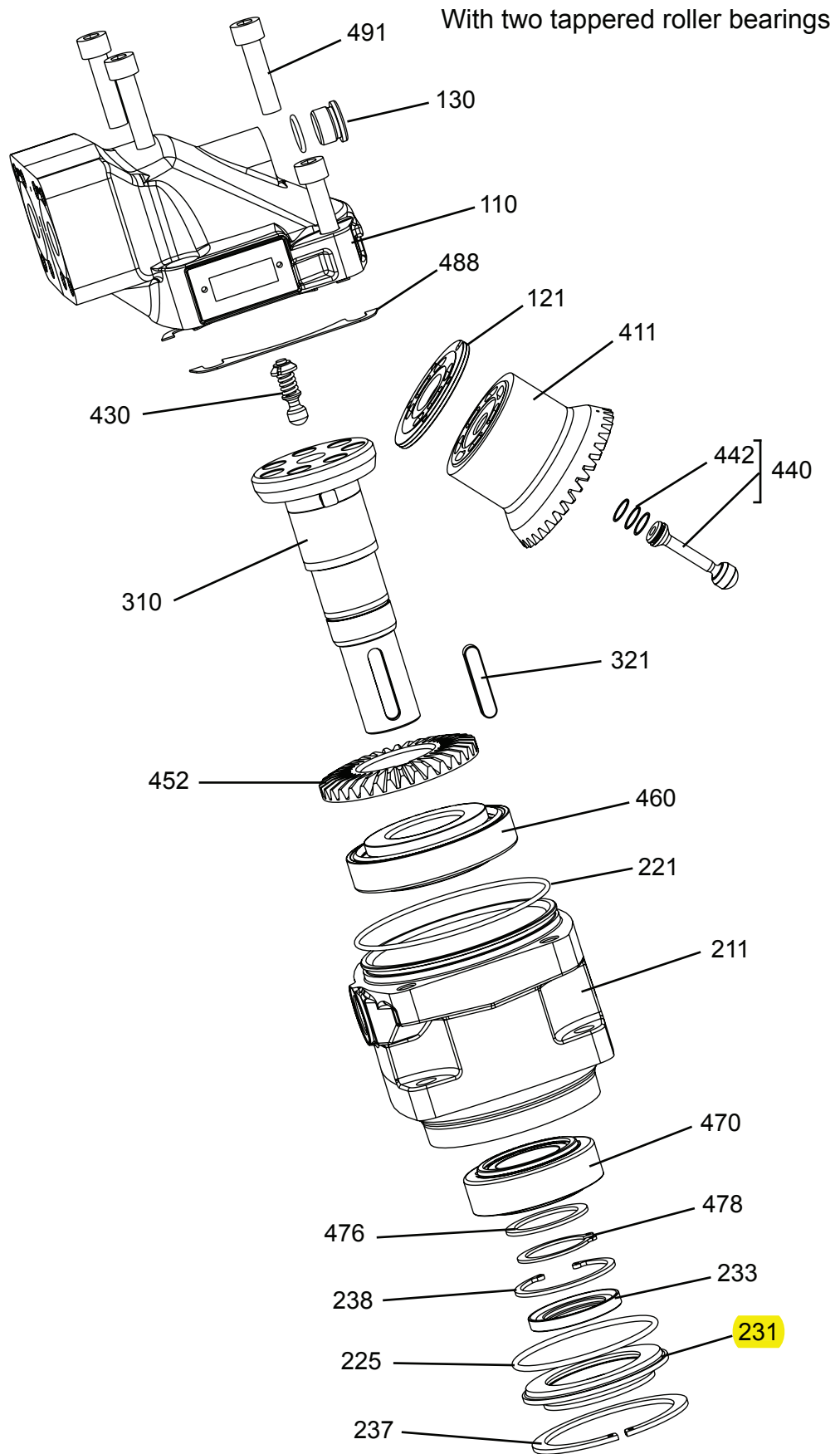


Split View
Series F12



F12-030 all types from serial no. 1998020001 and up.
With two tapered roller bearings.

Item	Part No	Title	Benämning	Qty	Remarks
110	3798186	Barrel Housing Assy	Trumhus kpl	1	Type F
110	3798187	Barrel Housing Assy	Trumhus kpl	1	Type S
110	3780145	Barrel Housing Assy	Trumhus kpl	1	Type U
121	3792037	Valve Plate	Ventilskiva	1	Type L
121	3791911	Valve Plate	Ventilskiva	1	Type M
121	3784619	Valve Plate	Ventilskiva	1	Type S
121	3791912	Valve Plate	Ventilskiva	1	Type R
130	3707298	Hex Socket Plug Assy	Insexpropp kpl	1	For S- Housing
130	3793607	Hex Socket Plug Assy	Insexpropp kpl	1	For F-Housing
211	3788316	Bearing Housing	Lagerhus	1	Type I "See SI 97/01" Repl 3799651
211	3788317	Bearing Housing	Lagerhus	1	Type I "Speed sensor" Repl 3799959
211	3788326	Bearing Housing	Lagerhus	1	Type C "Speed sensor" Repl 3780325
211	3788323	Bearing Housing	Lagerhus	1	Type S "Speed sensor" Repl 3780131
211	3788322	Bearing Housing	Lagerhus	1	Type S "See SI 97/01" Repl 3799649
211	3788319	Bearing Housing	Lagerhus	1	Type T "See SI 97/01" Repl 3799621
211	3788320	Bearing Housing	Lagerhus	1	Type T "Speed sensor" Repl 3799125
221	3792811	O-Ring	O-Ring	1	Nitril 103*2,5
221	976638	O-Ring	O-Ring	1	Viton 103*2,5
225	925094	O-Ring	O-Ring	1	Nitril 74,5*3
225	974584	O-Ring	O-Ring	1	Viton 74,5*3
229	3792912	O-Ring	O-Ring	1	Nitril 127*4
229	976640	O-Ring	O-Ring	1	Viton 127*4
231	3797194	Seal Carrier	Tättringshållare	1	
233	3786839	Shaft Seal	Tättningsring	1	Type V Repl. 3791734, 3793418, 3706183
233	3797195	Shaft Seal	Tättningsring	1	Type N,
237	914540	Retaining Ring	Spårring	1	
238	914529	Retaining Ring	Spårring	1	
256	3793171	Bleeder Plug	Luftningspropp	1	For C-Housing, M14
257	945653	Seal Washer	Tätbricka	1	For C-Housing
310	3799648	Shaft	Axel	1	Repl. 3799636 Type C "See SI 97/01"
310	3799638	Shaft	Axel	1	Type D "See SI 97/01"
310	3799632	Shaft	Axel	1	Type K "See SI 97/01"
310	3799644	Shaft	Axel	1	Type P Max 350 Bar
310	3799634	Shaft	Axel	1	Type S "See SI 97/01"
310	3799640	Shaft	Axel	1	Type T "See SI 97/01"
310	3799646	Shaft	Axel	1	Type Z "See SI 97/01"
321	909306	Flat Key	Plattkil	1	For K
321	118225	Flat Key	Plattkil	1	For T
411	3798157	Cylinder Barrel	Cylindertrumma	1	
411	3782447	Cylinder Barrel	Cylindertrumma	1	Pump version
430	3709838	Barrel Support	Trumstöd	1	
440	3791925	Piston Assy	Kolv kpl	7	
442	3791596	Piston Ring	Lamellring	21	Not available See SI 08/02
452	3791927	Ring Gear	Kuggkrans	1	
460	3797156	Tap Rol Bearing	Kon rullager	1	31308
470	3796929	Tap Rol Bearing	Kon rullager	1	32207